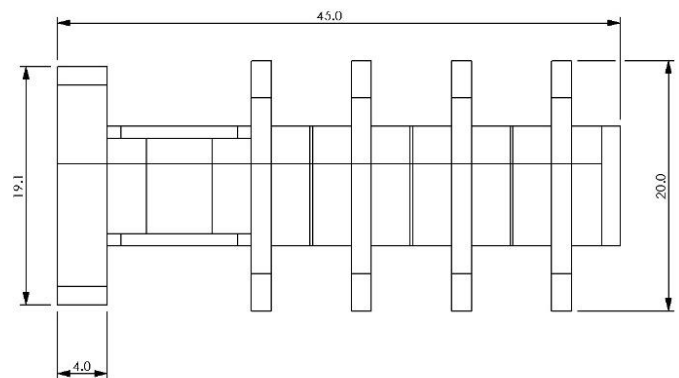
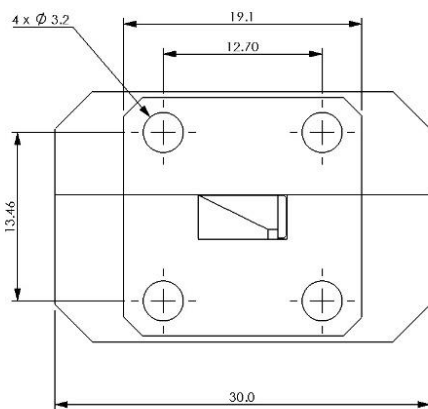


KEY FEATURES

Low VSWR across full band

Compact design

Typical parameters for this unit are shown below, but other design flange types and heatsink fins, can be accommodated on request



Key Specification

Model	006859
Frequency Range	26.5 - 40.0 GHz
VSWR	< 1.15:1
Power CW	30 W

Environmental

Max Temp at Full Power	To be kept to 120 Deg. C
Pressurisation	None
Inside Finish	MIL-DTL-5541 Class 3 Aluminium Chromate

Mechanical

Housing	Aluminium
Flange	UG-599/U
Weight	< 25g
RoHs	Compliant
Length	45 +/-0.5 mm
Finish	Semi-gloss black paint

Note: All information is correct at date of issue. Specifications are subject to change without notice
Issued: 14/09/21
Revision: 01