

KEY FEATURES

Low VSWR across full band

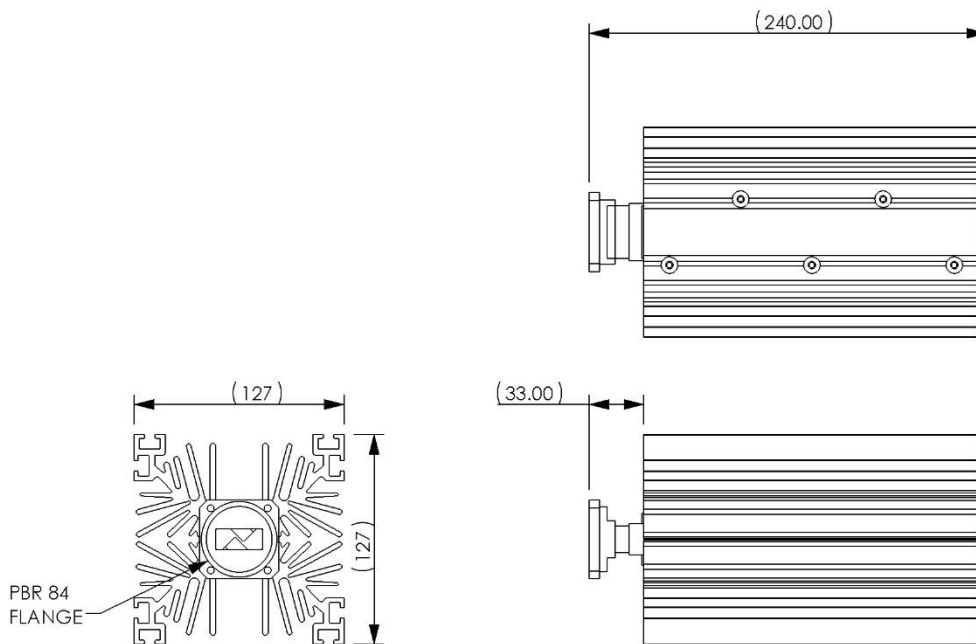
High power up to 1kW CW

Low profile

Sealed up to 15 psi

Bespoke high power load.

Typical parameters for this unit are shown below, but other designs and flange types can be accommodated on request



Key Specification

Model	001312
Passband	6.50-10.0 GHz
Passband Return Loss	>20dB
Power CW	1.0 kW

Environmental

Max Temp at Full Power	150 Deg. C
Pressurisation	15 PSI (Sealed)
Inside Finish	MIL-DTL-5541 Class 3 Aluminium Chromate

Mechanical

Housing	Aluminium
Flange	PBR 84
Weight	<3.3 Kg
RoHs	Compliant
Length	240 +/-1.0 mm

Note: All information is correct at date of issue. Specifications are subject to change without notice
Issued: 16/07/20
Revision: 01