



DATA SHEET
WR284 (WG10) Bi Directional
Coupler
004850

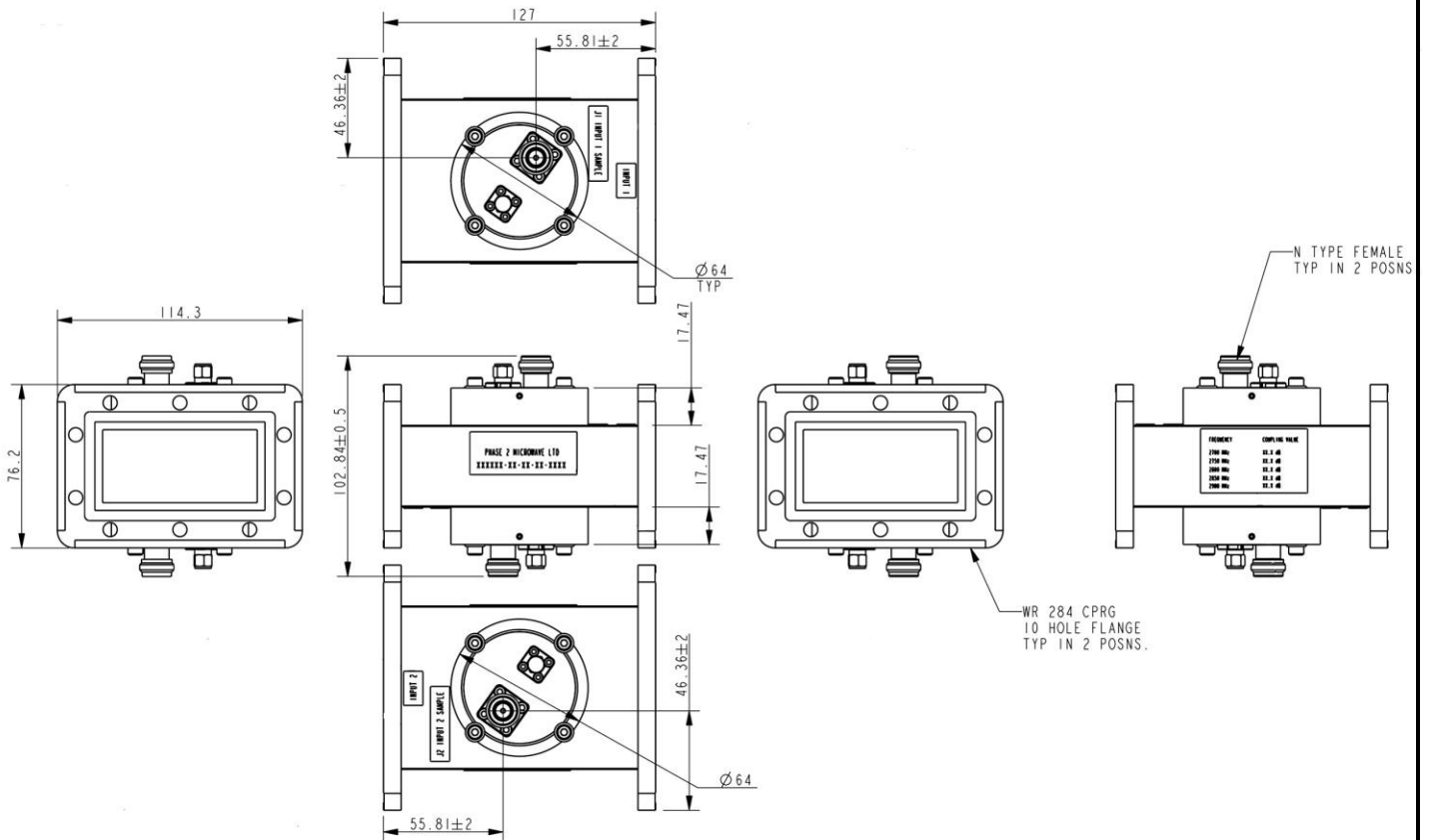
KEY FEATURES

- Coupling directivity 25dB Maximum
- High power rating (1MW Peak)
- Good VSWR 1.10:1
- Small coupling variation \pm 1dB max over specified frequency range
- Compact design

This S band Bidirectional Waveguide coupler is designed for forward and reverse power monitoring. It is used in high power transmitter applications for Radar and ISM applications. It provides reliable reverse power transmitter protection. Standard 40dB units are available. Alternative configurations, coupling values and frequency ranges are available upon request.



Interface Control Drawing



Specification

Model	004580
Frequency Range	2700-2900MHz
Mainline Insertion Loss	<0.2 dB
Mainline VSWR	1.10:1 Max
Coaxial output VSWR	1.10:1 Max
Forward Coupling	39-41 dB
Forward Directivity	>25 dB
Reverse Coupling	39-41 dB
Reverse Directivity	>25 dB
Power	1MW peak (With high power terminations depending on Duty ratio)

Environmental

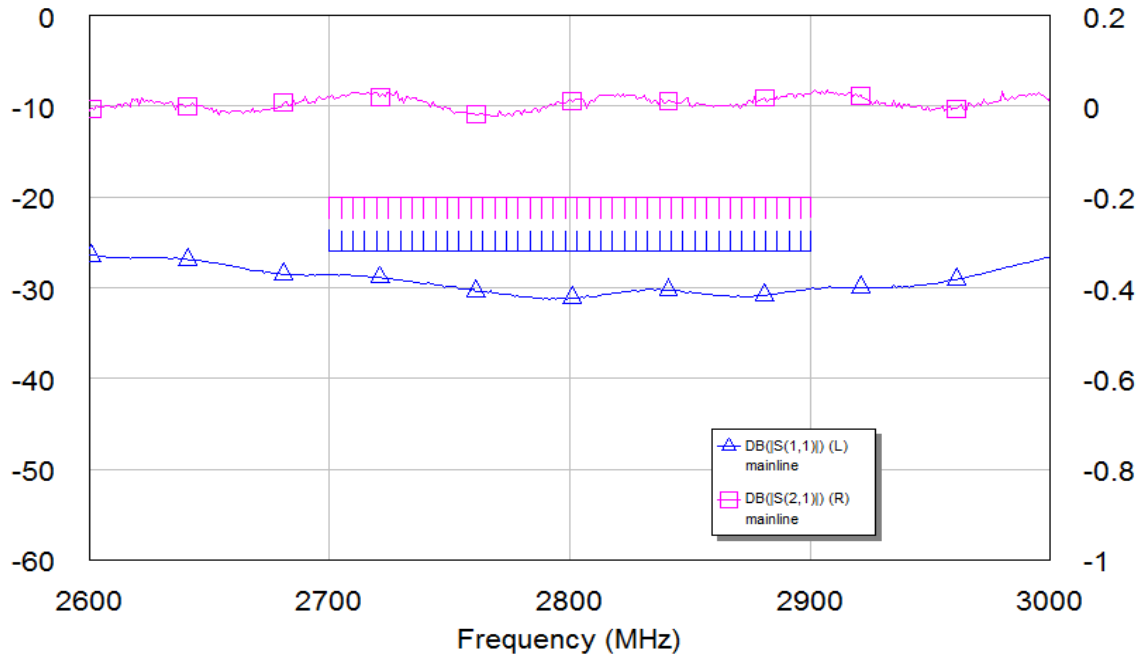
Temperature Range	-10°C ~ +60°C
Leakage rate	Depends on Termination type

Mechanical

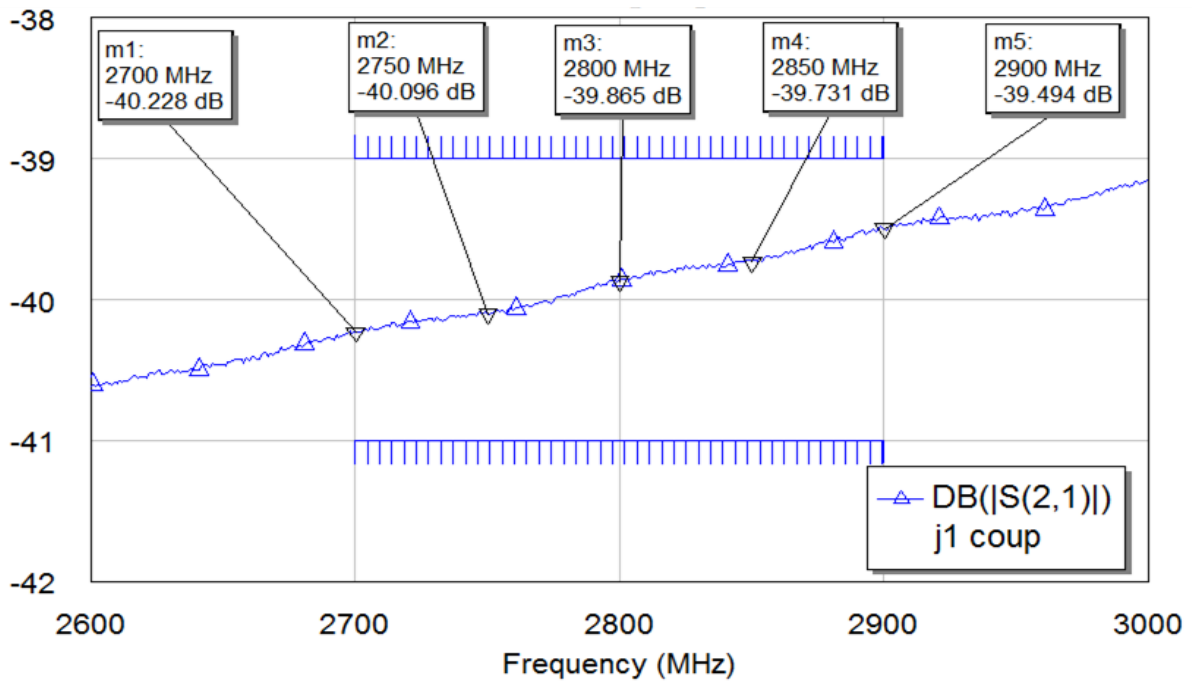
Connectors	WR284 CPRG each end, Coupler output N type female
Size	004580-ICD (ref drawing)
Paint Finish	Epoxy Paint
Material	Aluminium alloy
RoHs	Compliant

Note: All information is correct at date of issue. Specifications are subject to change without notice
 Issued: 17/03/21
 Revision: 01

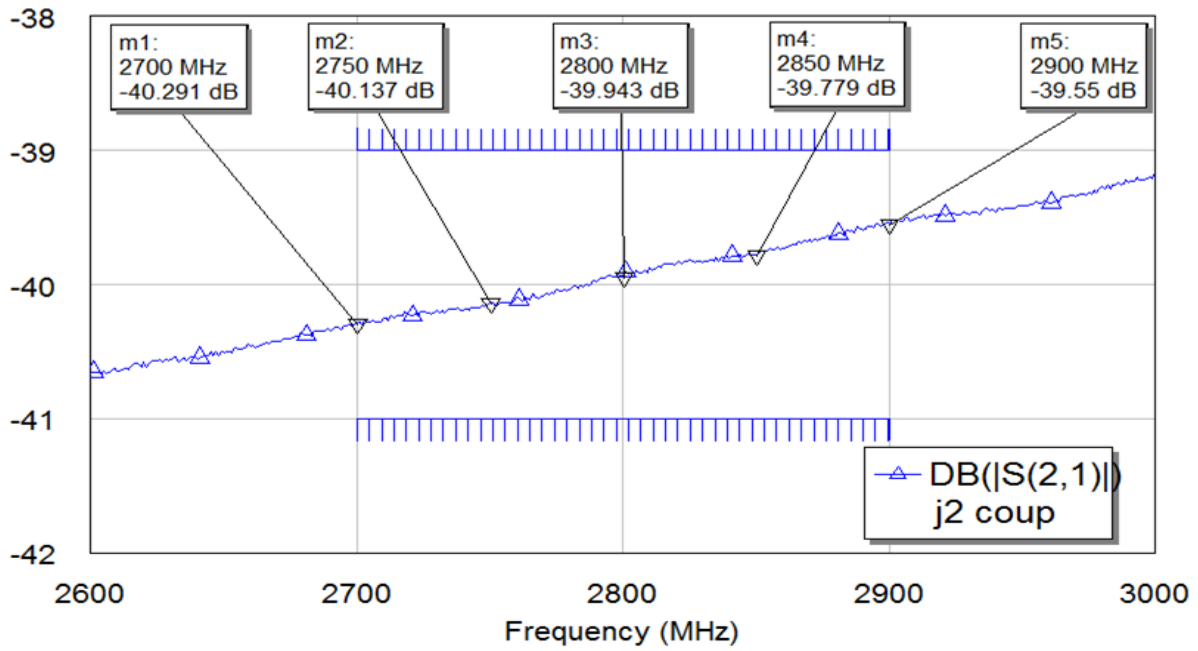
Mainline



Forward Coupling



Reverse Coupling



Directivities

